

CFM Corporation

Part No S19567 Rev05

NOTE: Retain this sheet for future reference

This manual describes the installation and operation of the Models FW270029 non-catalytic wood heater. This heater meets US Environmental Protection Agency's emission limits for wood heaters. Under specific conditions this heater has been shown to deliver heat at rates ranging from 10,370 to 29,301 BTU per hour.

Model No. FW270029

This unit has been listed by Warnock Hersey Limited to meet or exceed ULC S-627 Canada and UL 1482 U.S.

6" Flue Required

Figure A: Clearance from combustible constructions

A minimum clearance of 18" (457mm) to the chimney connector may be required by the authority having jurisdiction.

Contact your local building inspector prior to installation. A permit maybe required in your area.

From Heater

From Chimney Connector

A Sidewall..... 17-1/2" (444 mm)
B Backwall..... 13" (330 mm)
C Corner..... 11" (279 mm)

D Sidewall..... 28" (711 mm)
E Backwall..... 15-1/2" (394 mm)
F Corner..... 22" (559 mm)
G Ceiling..... 54-1/2" (1384 mm)

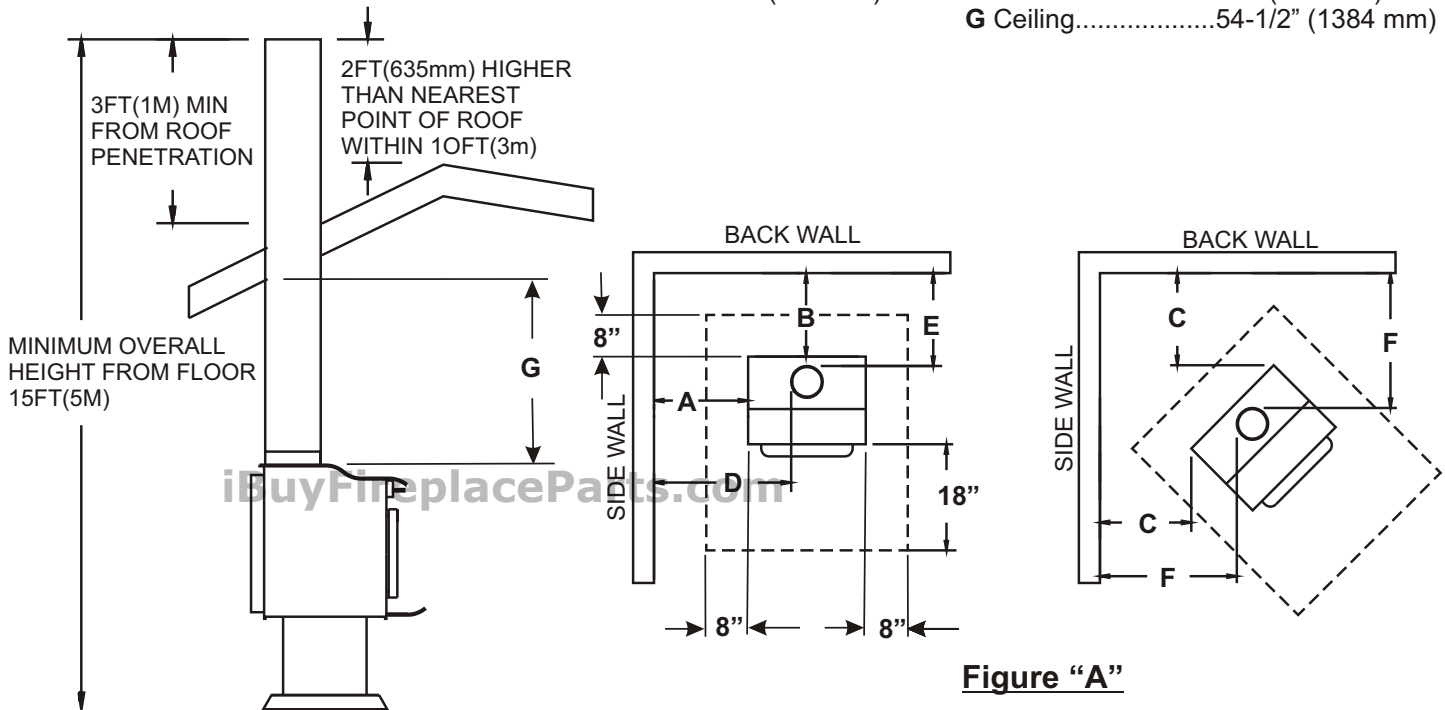
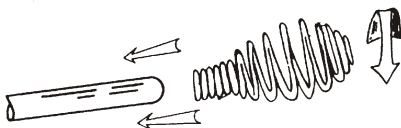


Figure "A"

Unit must be placed on a noncombustible floor protection equivalent to 3/8" millboard. Floor protector must have min. R value of .893. Consult your local building authorities for further information.



HANDLE

Twist spring handle **SPRING** in counter clockwise motion while pushing on to handle; spring handle will "thread" down to desired location.

CAUTION: Do not open fire-door to a point where it would be in contact with the combustible sidewall.

OPTIONAL FAN

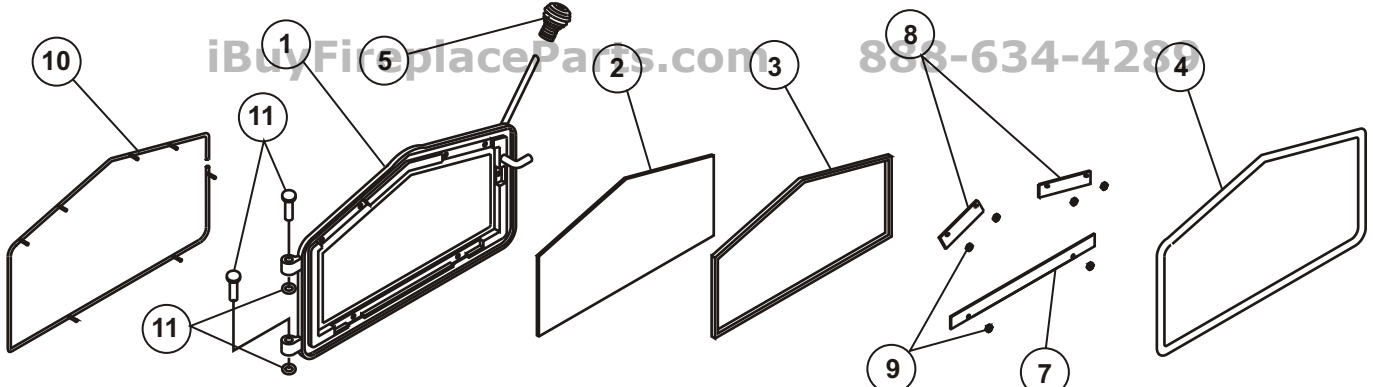
An optional heat exchange blower is available for this wood burning appliance. To order please see the local dealer where you purchased your appliance.

CAUTION: BRICK FOR ASH DRAWER MUST BE INSTALLED BEFORE OPERATION OF WOOD HEATER

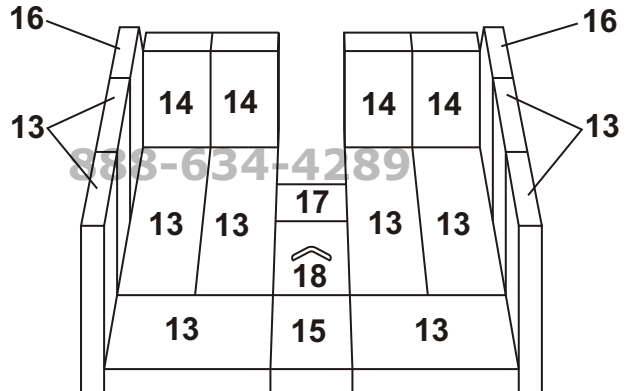
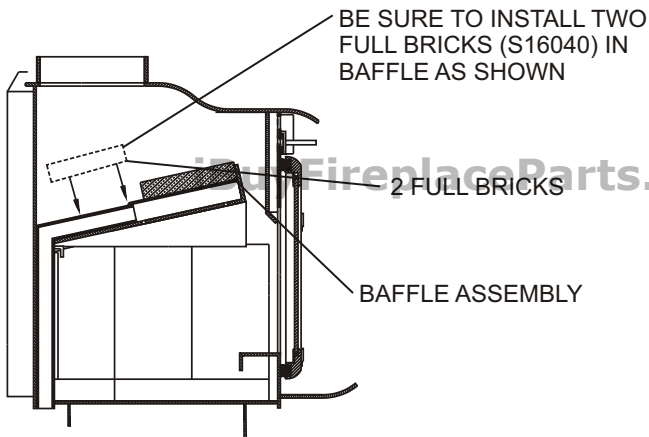
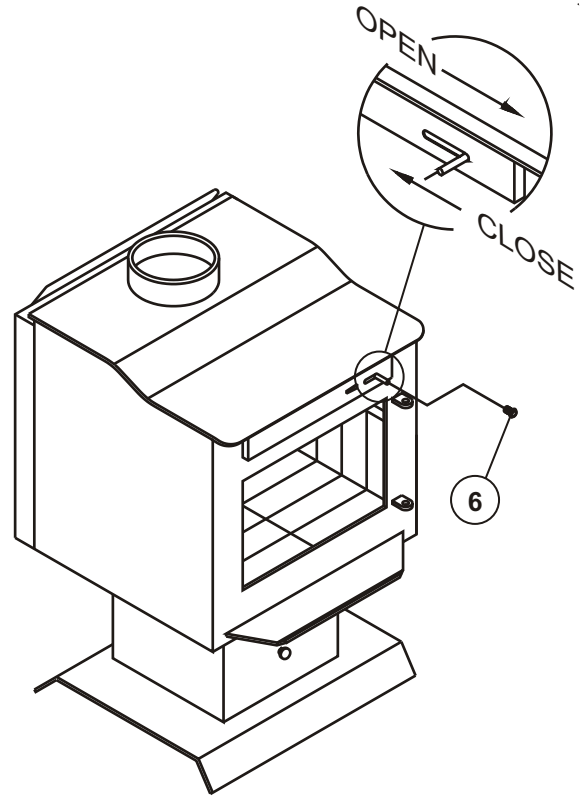
Inlet Air Control Settings

Desired Burn Setting	Inlet Air Setting	**Approx. BTU Output
Low	Closed Fully	10,370
Med / Low	¼ Open	12,420
Med / High	¾ Open	15,676
High	Fully Open	29,301

**Performance may vary depending on actual home operating conditions



PARTS LIST			
ITEM	QTY	DESCRIPTION	PART NO.
1	1	DOOR ASSEMBLY	S31103
1	1	DOOR (NO GLASS)	S41075
2&3	1	GLASS AND GASKET	S31128
3	4.0ft	1/8" GLASS GASKET	S15001
4	4.58ft	5/8" DOOR GASKET	S15011
5	1	SPRING HANDLE	S11007
6	1	AIR CONTROL SPRING HANDLE	S11008
7	1	GLASS CLIP	S37021
8	2	GLASS CLIP	S37020
9	7	NUT	S11018
10	1	INLAY	S13144
11	2	HINGE PIN	S11005
12	2	PUSH NUT	S11090
13	12	FIREBRICK LT 9"x4-7/16"x1-1/4"	S16040
14	4	FIREBRICK LT 7-1/4"x4-7/16"x1-1/4"	S16043
15	1	FIREBRICK LT 4-1/2"x4-7/16"x1-1/4"	S16046
16	2	FIREBRICK LT - ANGLED	S16042
17	1	FIREBRICK LT 4-7/16"x2-3/4"x1-1/4"	S16224
18	1	FIREBRICK FOR ASH DRAWER	S16214



Brick Pattern