



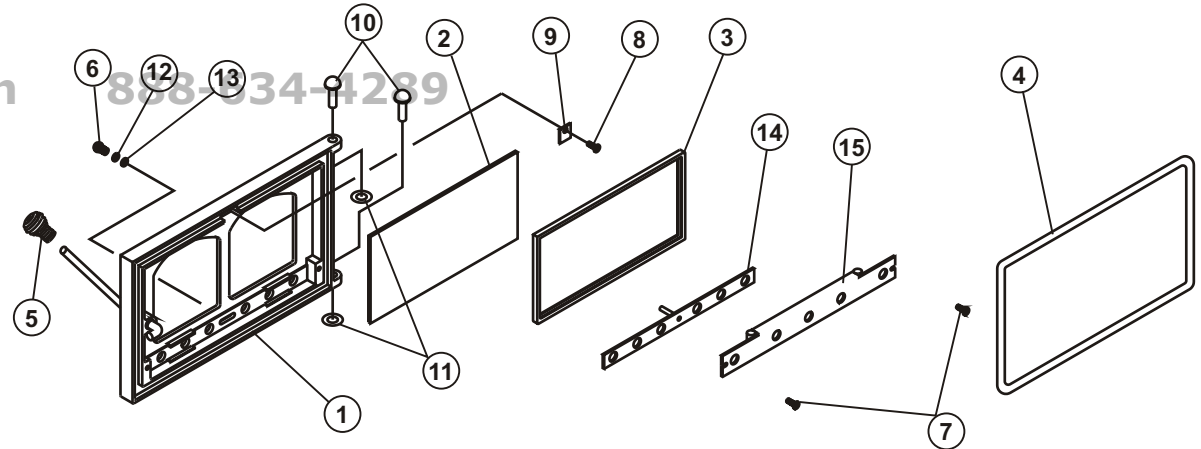
Model No. S126

This unit has been listed by Warnock Hersey Limited to meet or exceed CSA B366.2M ULC S-627 U11482 Canada.

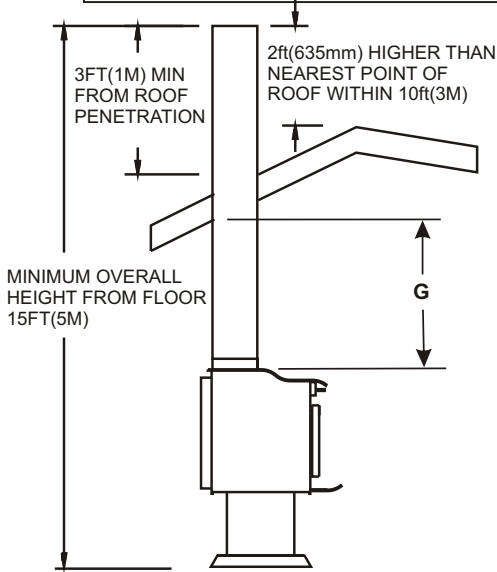
6" Flue Required

Figure A: Clearance from combustible constructions

A minimum clearance of 18" (457mm) to the chimney connector may be required by the authority having jurisdiction.



Contact your local building inspector prior to installation. A permit maybe required in your area.



From Heater

From Chimney Connector

- A Sidewall.....21-1/2" (546 mm)
- B Backwall.....15-1/2" (394 mm)
- C Corner.....18-1/2" (470 mm)

- D Sidewall.....30" (762 mm)
- E Backwall.....18" (457 mm)
- F Corner.....25-1/2" (648 mm)
- G Ceiling.....59-1/2" (1512 mm)

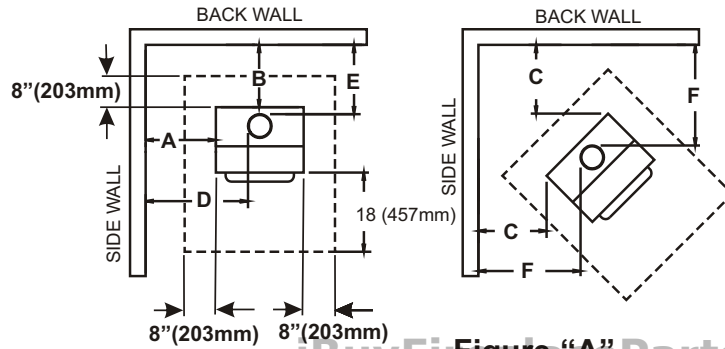
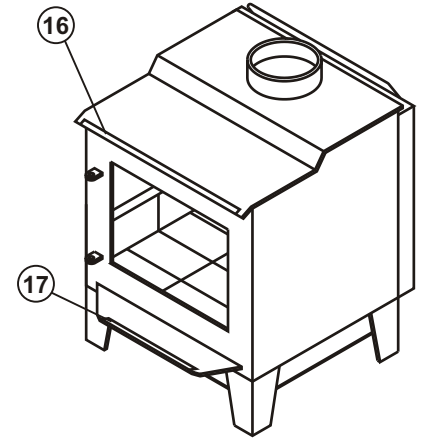


Figure "A"

PARTS LIST			
ITEM	QTY	DESCRIPTION	PART NO.
1	1	DOOR ASSEMBLY	S31093
1	1	DOOR (NO GLASS)	S41040
2&3	1	GLASS AND GASKET	S31109
3	3.5ft	1/8" GLASS GASKET	S15001
4	4.5ft	5/8" DOOR GASKET	S15011
5	1	SPRING HANDLE	S11007
6	1	AIR CONTROL SPRING HANDLE	S11008
7	2	SCREW	S11089
8	1	SCREW	S11086
9	1	GLASS CLIP	S37002
10	2	HINGE PIN	S11005
11	2	PUSH NUT	S11090
12	1	PUSH NUT	S11293
13	1	1/4 FLAT WASHER	S11436
14	1	DRAFT SLIDER BAR	S41010
15	1	SLIDE BAR RETAINER	S41093
16	1	BRASS BODY TRIM	S32014
17	1	BRASS ASH FENDER TRIM	S32023
18	10	FIREBRICK LT 9"x4-7/16"x1-1/4"	S16040
19	2	FIREBRICK LT 4-1/2"x4-7/16"x1-1/4"	S16046

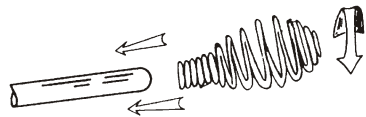


Unit must be placed on a noncombustible floor protection equivalent to 3/8" (9.5mm) millboard extending 18" (457mm) in front and 8" (203mm) to sides and back of unit per manufacturer's instructions . Consult your local building authorities for further information.

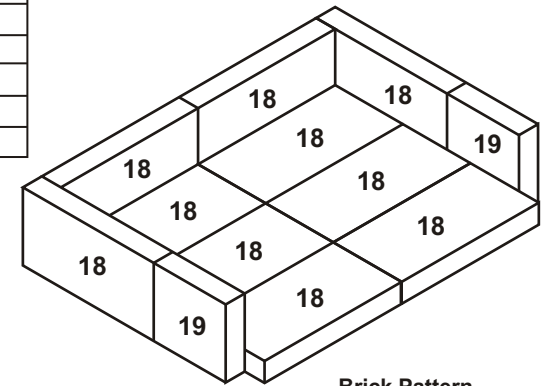
DECORATIVE BRASS TRIM
Be sure to remove the protective plastic coating after installing your wood heater

CAUTION: Do not open fire-door to a point where it would be in contact with the combustible sidewall.

OPTIONAL FAN
An optional heat exchange blower is available for this wood burning appliance. To order please see the local dealer where you purchased your appliance.



HANDLE
Twist spring handle **SPRING** in counter clockwise motion while pushing on to handle; spring handle will "thread" down to desired location.



Brick Pattern