

NOTE: Retain this sheet for future reference

Model No. S130 / S130P

This unit has been listed by Warnock Hersey Limited to meet or exceed CSA B 366, 2M and ULC S-627 Canada

6" Flue Required

Figure A: Clearance from combustible constructions

From Heater	From Chimney Connector
A Sidewall.....21-1/2" (546 mm)	D Sidewall.....30" (762 mm)
B Backwall.....15-1/2" (394 mm)	E Backwall.....18" (457 mm)
C Corner.....18-1/2" (470 mm)	F Corner.....25-1/2" (648 mm)
	G Ceiling.....56" (1422 mm)

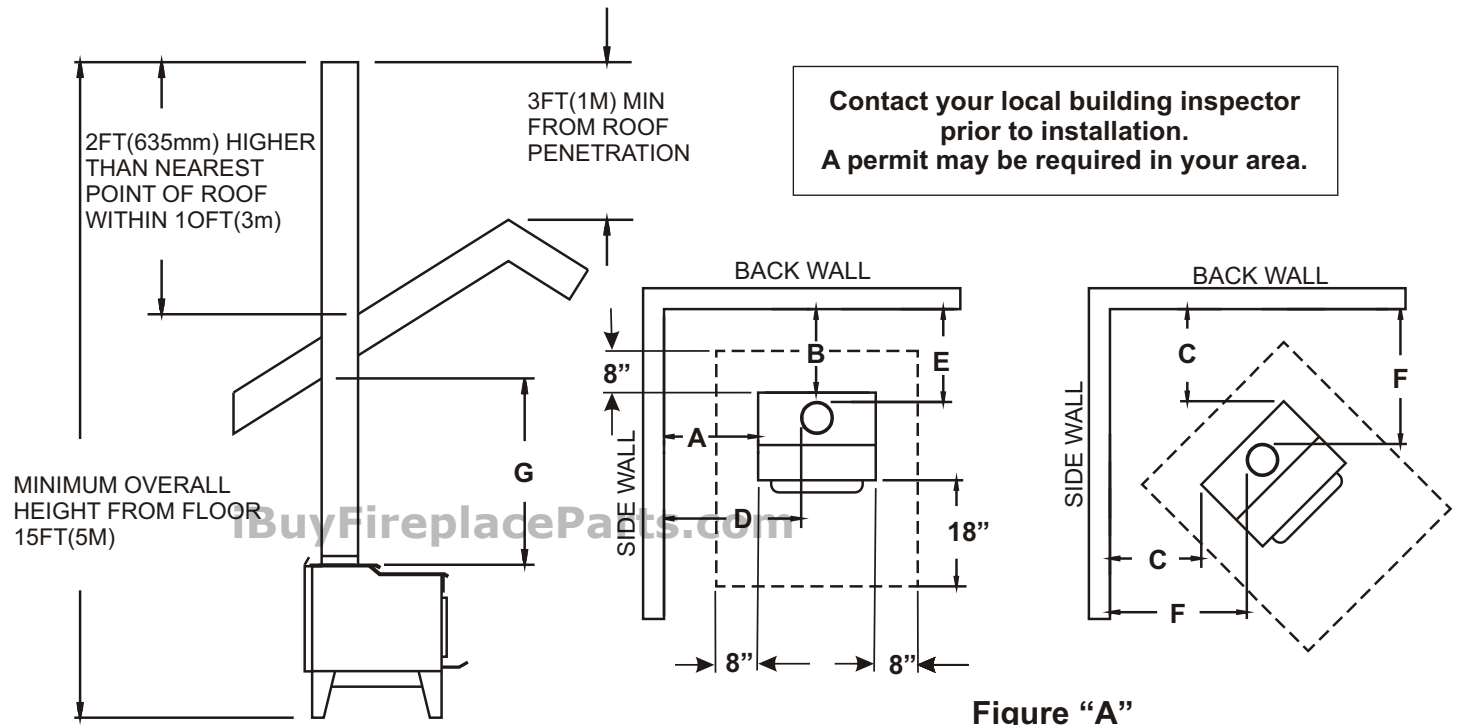
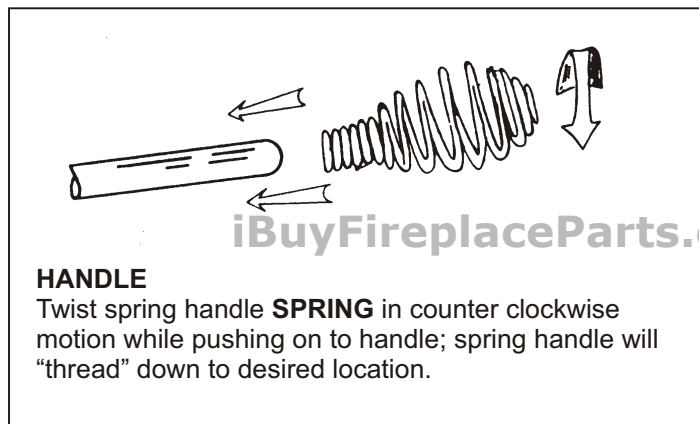


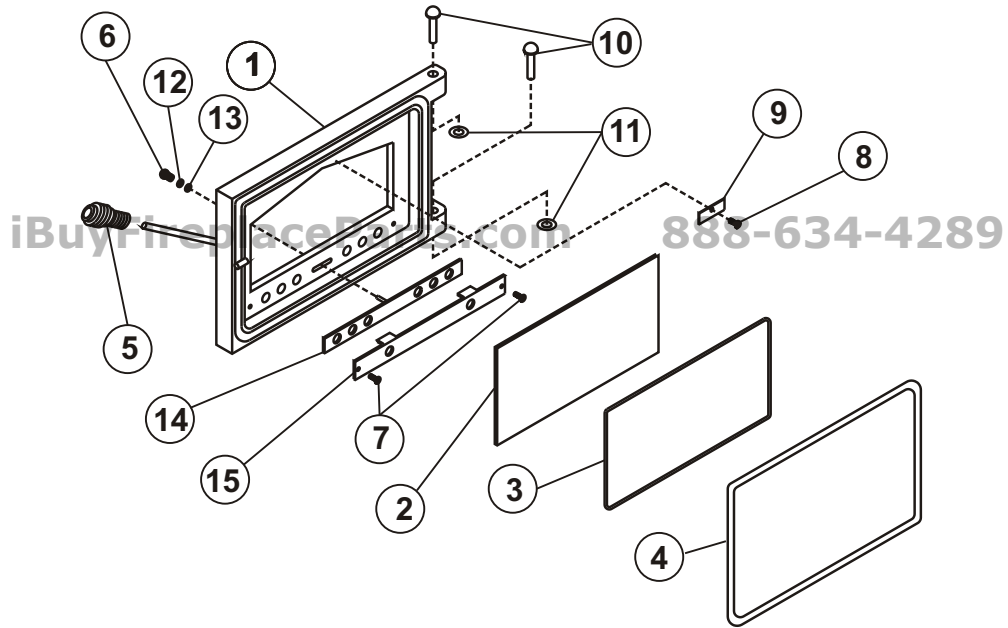
Figure "A"

Unit must be placed on a noncombustible floor protection equivalent to 3/8" millboard extending 18" (457mm) in front and 8" (203mm) to side and back of unit per manufacturer's instructions. Consult your local building authorities for further information.

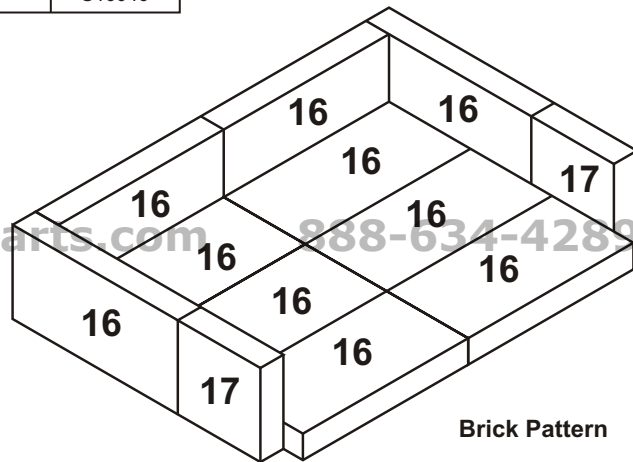
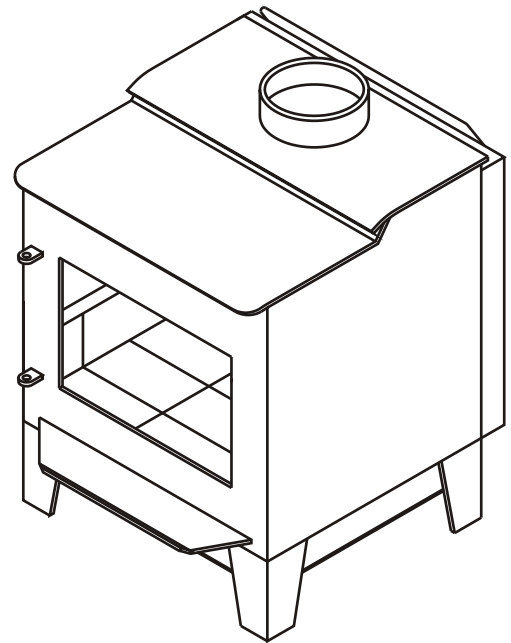


CAUTION: Do not open fire-door to a point where it would be in contact with the combustible sidewall.

OPTIONAL FAN
An optional heat exchange blower is available for this wood burning appliance. To order please see the local dealer where you purchased your appliance.



PARTS LIST			
ITEM	QTY	DESCRIPTION	PART NO.
1	1	DOOR ASSEMBLY	S31032
1	1	DOOR (NO GLASS)	S41002
2&3	1	GLASS AND GASKET	S31109
3	3.5ft	1/8" GLASS GASKET	S15001
4	4.5ft	5/8" DOOR GASKET	S15011
5	1	SPRING HANDLE	S11007
6	1	AIR CONTROL SPRING HANDLE	S11008
7	2	SCREW	S11089
8	1	SCREW	S11086
9	1	GLASS CLIP	S37002
10	2	HINGE PIN	S11005
11	2	PUSH NUT	S11090
12	1	PUSH NUT	S11293
13	1	1/4 FLAT WASHER	S11436
14	1	DRAFT SLIDER BAR	S41010
15	1	SLIDE BAR RETAINER	S41093
16	10	FIREBRICK LT 9"x4-7/16"x1-1/4"	S16040
17	2	FIREBRICK LT 4-1/2"x4-7/16"x1-1/4"	S16046



Brick Pattern