

**NOTE: Retain this sheet for future reference**

This manual describes the installation and operation of the Models S274E non-catalytic wood heater. This heater meets US Environmental Protection Agency's emission limits for wood heaters. Under specific conditions this heater has been shown to deliver heat at rates ranging from 10,370 to 29,301 BTU per hour.

## Model No. S274E

This unit has been listed by Warnock Hersey Limited to meet or exceed ULC S-627 Canada and UL 1482 U.S.

## 6" Flue Required

Figure A: Clearance from combustible constructions

**A minimum clearance of 18" (457mm) to the chimney connector may be required by the authority having jurisdiction.**

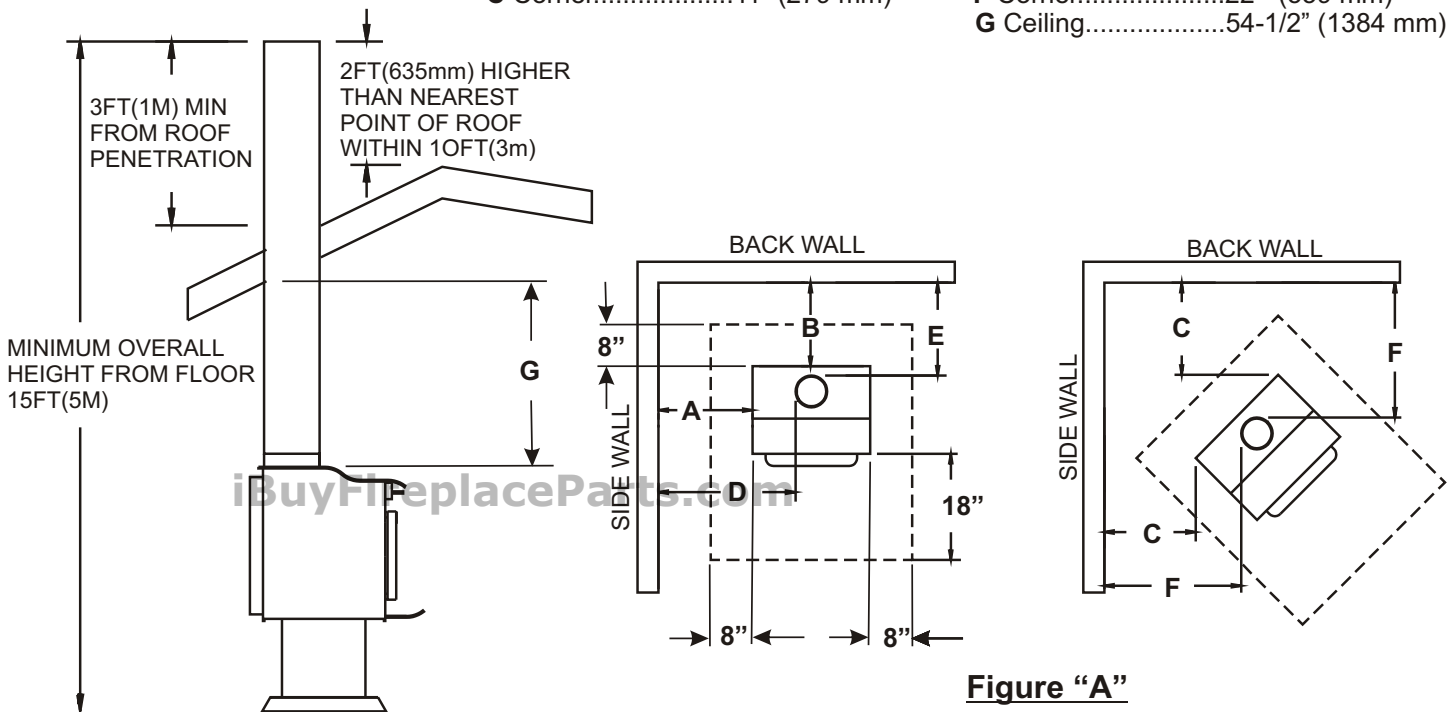
**Contact your local building inspector prior to installation. A permit maybe required in your area.**

From Heater

From Chimney Connector

- A** Sidewall..... 17-1/2" (444 mm)
- B** Backwall..... 13" (330 mm)
- C** Corner..... 11" (279 mm)

- D** Sidewall..... 28" (711 mm)
- E** Backwall..... 15-1/2" (394 mm)
- F** Corner..... 22" (559 mm)
- G** Ceiling..... 54-1/2" (1384 mm)

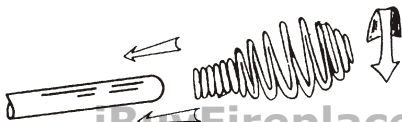


**Figure "A"**

Unit must be placed on a noncombustible floor protection equivalent to 3/8" millboard. Floor protector must have min. R value of .893. Consult your local building authorities for further information.

### DECORATIVE BRASS TRIM

Be sure to remove the protective plastic coating installing your wood heater



#### HANDLE

Twist spring handle **SPRING** in counter clockwise motion while pushing on to handle; spring handle will "thread" down to desired location.

**CAUTION:** Do not open fire-door to a point where it would be in contact with the combustible sidewall.

**888-634-4289**

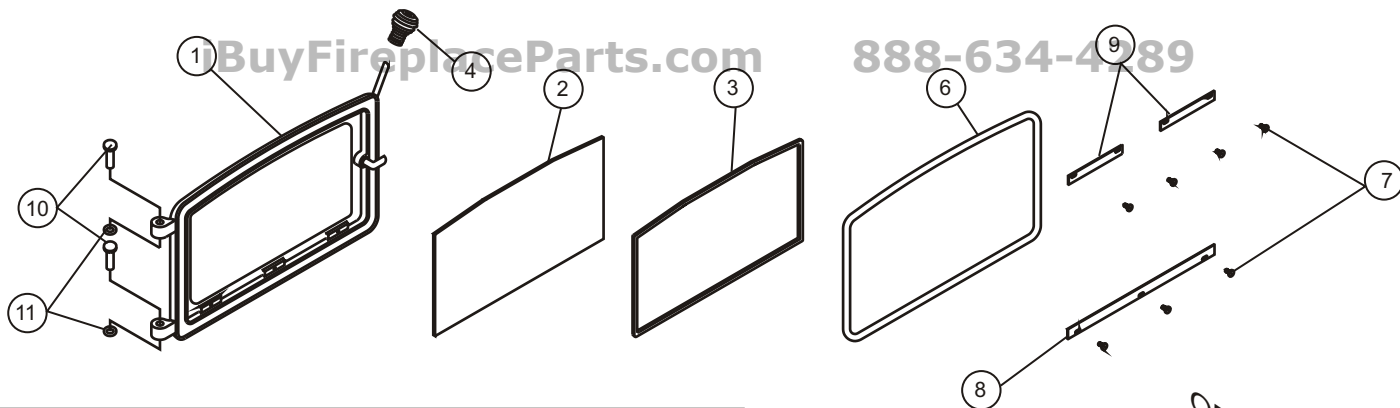
#### OPTIONAL FAN

An optional heat exchange blower is available for this wood burning appliance. To order please see the local dealer where you purchased your appliance.

## Inlet Air Control Settings

Desired Burn Setting	Inlet Air Setting	**Approx. BTU Output
Low	Closed Fully	10,370
Med / Low	¼ Open	12,420
Med / High	¾ Open	15,676
High	Fully Open	29,301

\*\*Performance may vary depending on actual home operating conditions



PARTS LIST			
ITEM	QTY	DESCRIPTION	PART NO.
1	1	DOOR ASSEMBLY	S31139
1	1	DOOR (NO GLASS)	S41091
2&3	1	GLASS AND GASKET	S31141
3	4.3ft	1/8" GLASS GASKET	S15001
4	1	SPRING HANDLE	S11007
5	1	AIR CONTROL SPRING HANDLE	S11008
6	5.1ft	5/8" DOOR GASKET	S15011
7	7	SCREW	S11086
8	1	GLASS CLIP	S37026
9	2	GLASS CLIP	S37018
10	2	HINGE PIN	S11005
11	2	PUSH NUT	S11090
12	1	BRASS BODY TRIM	S32098
13	1	BRASS ASH FENDER TRIM	S32075
14	1	FIREBRICK LT 4-1/2"x4-7/16"x1-1/4"	S16046
15	12	FIREBRICK LT 9"x4-7/16"x1-1/4"	S16040
16	4	FIREBRICK LT 7-1/4"x4-7/16"x1-1/4"	S16043
17	2	FIREBRICK LT - ANGLED	S16042
18	1	FIREBRICK LT 8"x4-7/16x1-1/4"	S16138

