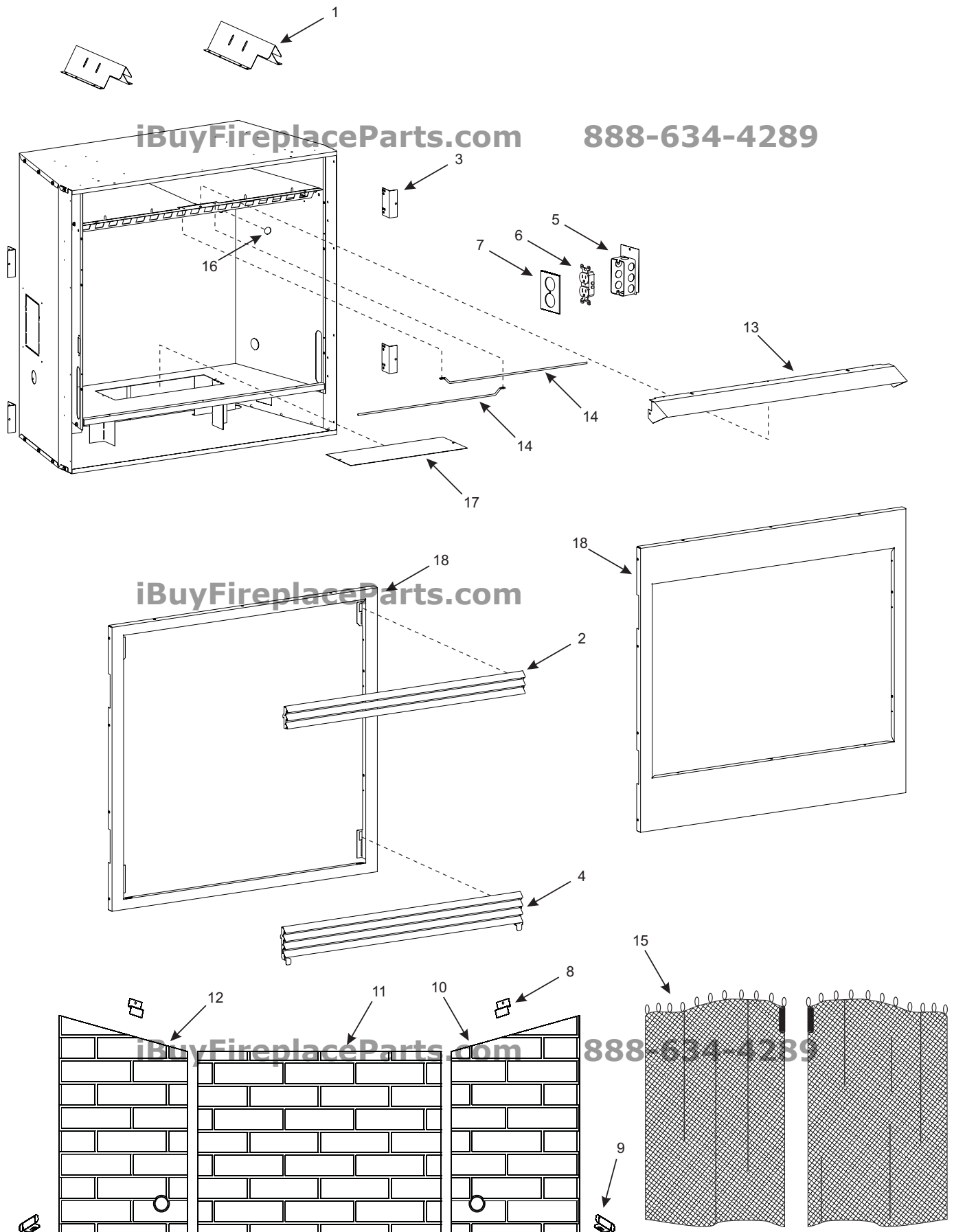


PARTS VIEW



PARTS LIST

Index No.	Part No.			Description
	VFD32FB	VFD36FB	VFD42FB	
1	17149	17247	17247	Top Standoff (Qty 2)
2	17169	18807	17187	Upper Louver
3	10554	10554	10554	Framing Bracket (Qty 4)
4	17170	18808	17188	Lower Louver
5	17162	17162	17162	Junction Box Assembly
6	R3492	R3492	R3492	Receptacle
7	R3491	R3491	R3491	Cover, Junction Box
8	20448	20448	20448	Bracket, Top Brick Retainer (Aged Brick Models) (Qty 2)
8	27338	27338	27338	Bracket, Top Brick Retainer (Refractory & Traditional Models) (Qty 2)
9	19401	19401	19401	Bracket, Bottom Brick Retainer (Qty 2)
10	R8220	R8783	R8267	Brick Panel Right Aged Brick Fiber - VFD(32,36,42)FB2C
10	R10388	R10392	R10392	Brick Panel Right Refractory Brick - VFD(32,36,42)FB2M
11	R8221	R8278	R8284	Brick Panel Back Aged Brick Fiber - VFD(32,36,42)FB2C
11	R10386	R10390	R10394	Brick Panel Back Refractory Brick - VFD(32,36,42)FB2M
11	R8676	R8679	R8680	Brick Panel Back Traditional Fiber - VFD(32,36,42)FB2D
11	R8675	R8678	R8691	Brick Panel Right Traditional Fiber - VFD(32,36,42)FB2D
12	R8219	R8782	R8277	Brick Panel Left Aged Brick Fiber - VFD(32,36,42)FB2C
12	R10387	R10391	R10391	Brick Panel Left Refractory Brick - VFD(32,36,42)FB2M
12	R8674	R8677	R8690	Brick Panel Left Traditional Fiber - VFD(32,36,42)FB2D
13	20486	21087	19984	Hood
14	R7051	R7052	R7053	Rod, Screen (Qty 2)
15	R8137	R8148	R8148	Screen Curtain (Qty 2)
16	R8727	R8727	R8727	Hole Plug
17	25477	25477	25477	Blower Cover Plate
18	25490	26678	26689	Front Panel - Flush
18	26444	26679	26690	Front Panel - Louvered

iBuyFireplaceParts.com

888-634-4289

OPTIONAL SINGLE SPEED BLOWER INSTALLATION INSTRUCTIONS

Blower Motor

The blower motor does not have oiling holes. Do not attempt to oil the blower motor.

Blower Wheels

The blower wheels will collect lint and could require periodic cleaning. If the air output decreases or the noise level increases, it indicates a dirty blower wheel. Remove fan and clean blower wheels.

Warning: Unplugging of blower accessory will not stop the heater from cycling. To turn off gas to the heater (millivolt model): push in gas control knob slightly and turn clockwise to "OFF." Do not force. To turn off gas on direct ignition model, turn gas line valve to "OFF."

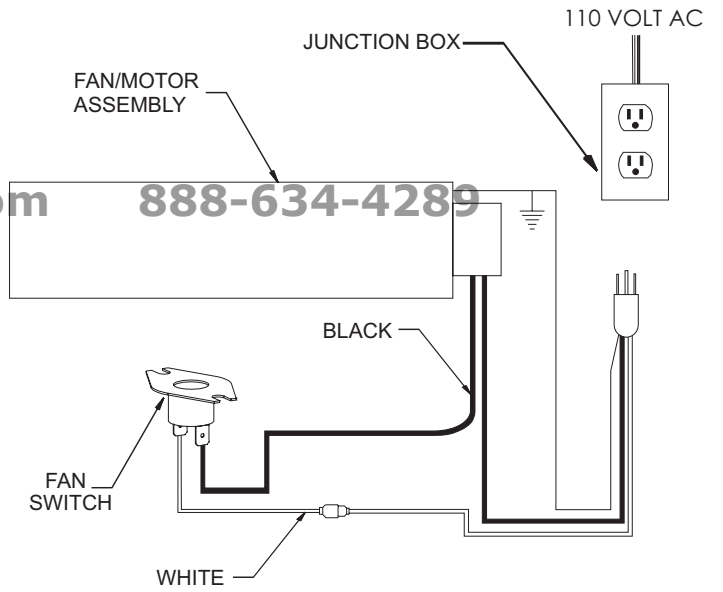
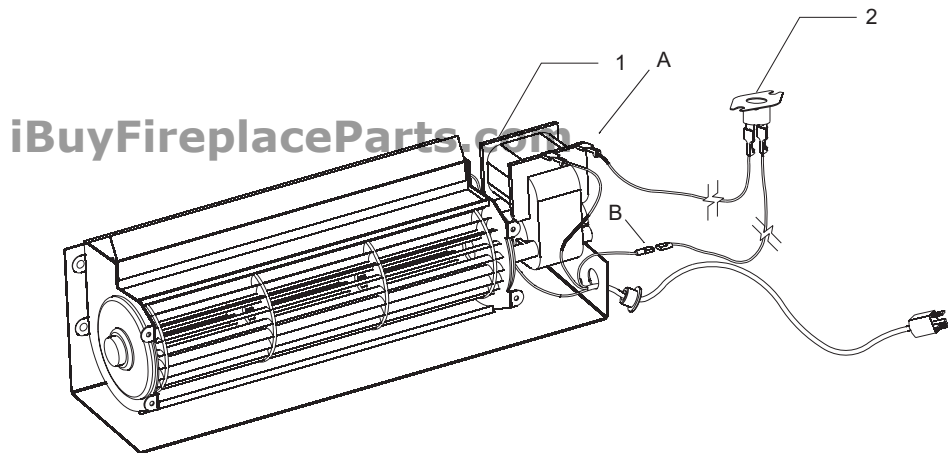


Figure 30



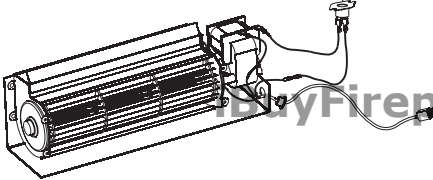
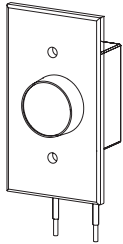
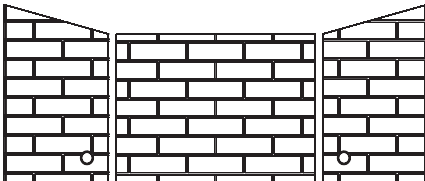
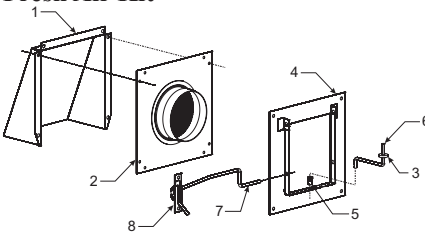
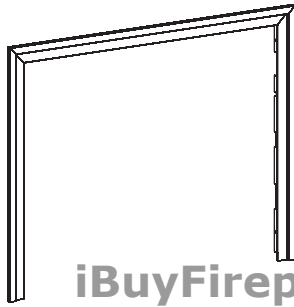
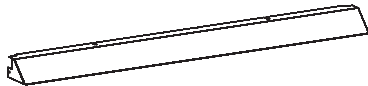
1	FBB5	BLOWER ASSEMBLY COMPLETE
2	R8199	FAN CONTROL SWITCH

Figure 31

iBuyFireplaceParts.com

888-634-4289

ACCESSORIES

Accessory	Description	Model Numbers
<p>Fan Kit</p> 	<p>Designed to provide forced air flow.</p>	<p>FBB5</p>
<p>Variable Speed Control Kit</p> 	<p>Wall mounted variable speed control for use with FBB5 blower</p>	<p>SCV-1</p>
<p>Brick Liners</p> 	<p>Deluxe Firebox</p>	<p>Contact dealer for all available optional liner kits</p>
<p>Fresh Air Kit</p> 	<p>Deluxe and Premium Fireboxes</p>	<p>BVA-1</p>
<p>Frame Kits</p> 	<p>3-Piece Frame Kits Black, Stainless Steel or Hammered Pewter</p>	<p>Contact dealer for all available optional frame kits</p>
<p>Standard Hood</p> 	<p>Brass hood = BR Stainless Steel = SS Hammered Pewter = HP</p>	<p>Contact dealer for all available optional hood accessories</p>