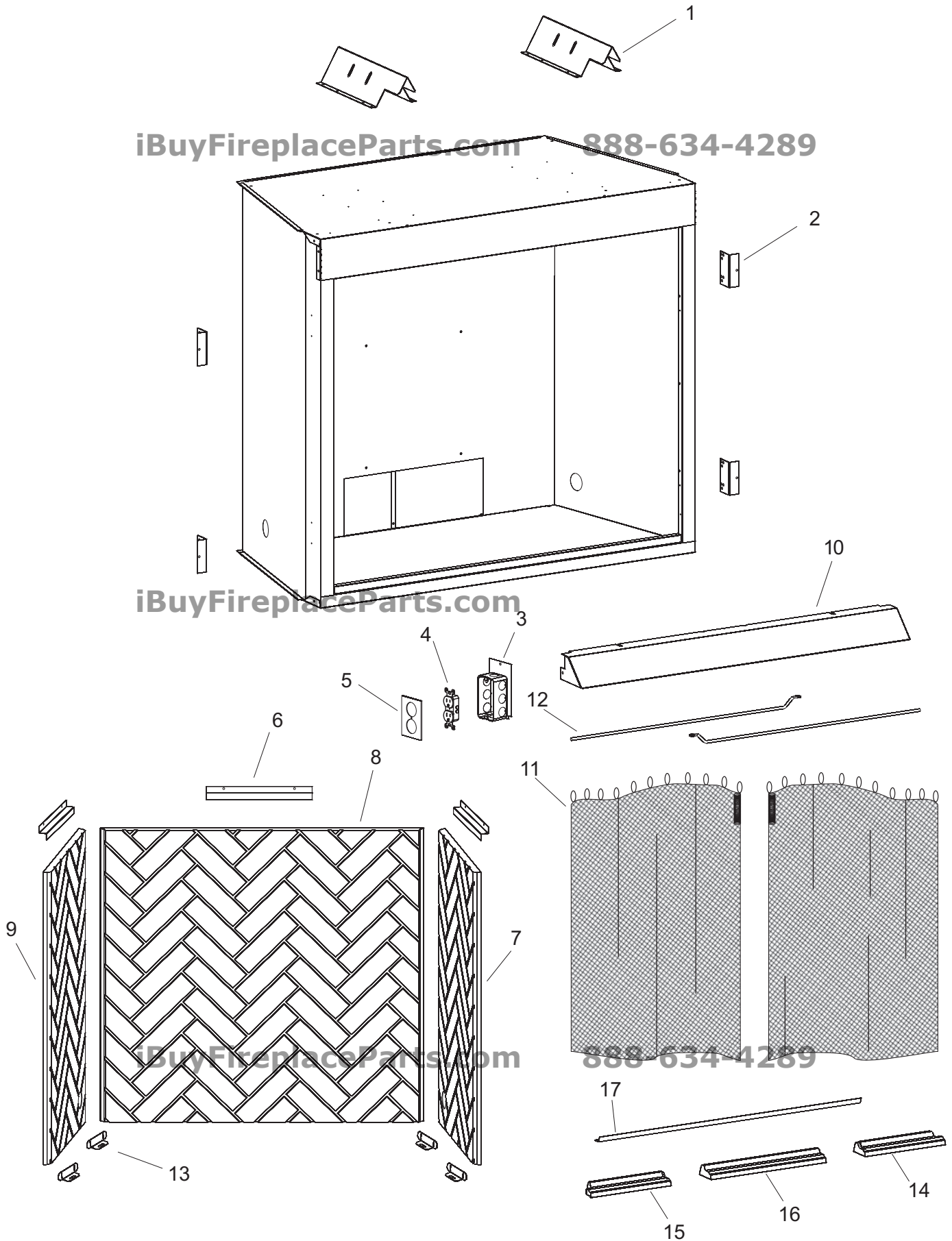


# PARTS VIEW



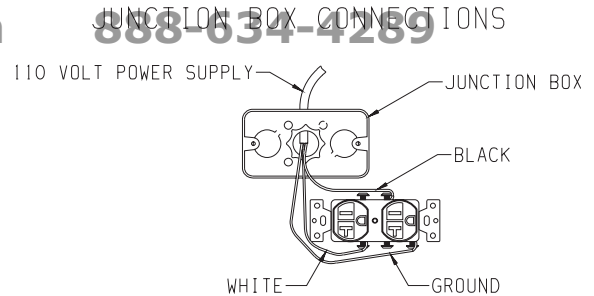
# JUNCTION BOX WIRING INSTALLATION INSTRUCTIONS

**CAUTION: ALL WIRING SHOULD BE DONE BY A QUALIFIED ELECTRICIAN AND SHALL BE IN COMPLIANCE WITH ALL LOCAL, CITY AND STATE BUILDING CODES. BEFORE MAKING THE ELECTRICAL CONNECTION, MAKE SURE THAT MAIN POWER SUPPLY IS DISCONNECTED. THE APPLIANCE, WHEN INSTALLED, MUST BE ELECTRICALLY GROUNDED IN ACCORDANCE WITH LOCAL CODES OR, IN THE ABSENCE OF LOCAL CODES, WITH THE NATIONAL ELECTRICAL CODE ANSI/NFPA 70 (LATEST EDITION)**

A factory installed junction box is located on the lower right hand side of the firebox. Wiring must be fed to the junction box and attached to the receptacle that is provided. Remove the knockout in the installed junction box to accept wiring into the junction box. Install a UL listed cable clamp (not supplied) in the knockout hole. Leave approximately 6" of wire in the junction box for connection.

Attach black wire to one side of the receptacle and white wire to opposite side of receptacle. The ground wire should be attached to the green (neutral) screw.

Install the receptacle into the junction box. Attach cover plate.



**Figure 20**

## MAINTENANCE

Keep the control compartment, logs and burner area surrounding the logs clean by vacuuming or brushing area at least twice a year.

THE LOGS CAN GET VERY HOT – HANDLE ONLY WHEN COOL.

Always turn off gas to the pilot before cleaning. For relighting, refer to lighting instructions located on the log set.

Never obstruct the flow of the combustion and ventilation air. Keep the front of the firebox clear of all obstacles and materials.

Screens must be closed during operation.

[iBuyFireplaceParts.com](http://iBuyFireplaceParts.com)

## PARTS LIST

INDEX NO.	PART NUMBER.				DESCRIPTION
	VFS32FB2DF	VFS32FB3DF	VFS32FB2EF	VFS32FB3EF	
1	17247	17247	17247	17247	TOP STANDOFF
2	10554	10554	10554	10554	FRAMING BRACKET
3	17162	17162	17162	17162	JUNCTION BOX ASSEMBLY
4	R3492	R3492	R3492	R3492	Receptacle
5	R3491	R3491	R3491	R3491	COVER, JUNCTION BOX
6	19945	19945	19945	19945	BRACKET, TOP BRICK RETAINER
7	R8667	R8667	R9422	R9422	BRICK PANEL RIGHT
8					BRICK PANEL BACK
9					BRICK PANEL LEFT
10	20020	20020	20020	20020	HOOD
11	R7051	R7051	R7051	R7051	ROD, SCREEN
12	R8213	R8213	R8213	R8213	SCREEN CURTAIN
13	19401	19401	19401	19401	BRACKET, BOTTOM BRICK RETAINER
14	R9292	R9292	R9292	R9292	HEARTH LEDGE, RIGHT
15	R9293	R9293	R9293	R9293	HEARTH LEDGE, LEFT
16	R9294	R9294	R9294	R9294	HEARTH LEDGE, CENTER
17	23004	23004	23004	23004	RETAINER, HEARTH LEDGE

# PARTS LIST

INDEX NO.	VFS36FB2DF	VFS36FB3DF	VFS36FB2EF	VFS36FB3EF	DESCRIPTION
1	17247	17247	17247	17247	TOP STANDOFF
2	10554	10554	10554	10554	FRAMING BRACKET
3	17162	17162	17162	17162	JUNCTION BOX ASSEMBLY
4	R3492	R3492	R3492	R3492	Receptacle
5	R3491	R3491	R3491	R3491	COVER, JUNCTION BOX
6	19945	19945	19945	19945	BRACKET, TOP BRICK RETAINER
7	R8670	R8670	R9423	R9423	BRICK PANEL RIGHT
8					BRICK PANEL BACK
9					BRICK PANEL LEFT
10	20145	20145	20145	20145	HOOD
11	R7052	R7052	R7052	R7052	ROD, SCREEN
12	R8202	R8202	R8202	R8202	SCREEN CURTAIN
13	19401	19401	19401	19401	BRACKET, BOTTOM BRICK RETAINER
14	R9292	R9292	R9292	R9292	HEARTH LEDGE, RIGHT
15	R9293	R9293	R9293	R9293	HEARTH LEDGE, LEFT
16	R9295	R9295	R9295	R9295	HEARTH LEDGE, CENTER
17	23004	23004	23004	23004	RETAINER, HEARTH LEDGE
ITEM	VFS42FB2DF	VFS42FB3DF	VFS42FB2EF	VFS42FB3EF	DESCRIPTION
1	17247	17247	17247	17247	TOP STANDOFF
2	10554	10554	10554	10554	FRAMING BRACKET
3	17162	17162	17162	17162	JUNCTION BOX ASSEMBLY
4	R3492	R3492	R3492	R3492	Receptacle
5	R3491	R3491	R3491	R3491	COVER, JUNCTION BOX
6	19945	19945	19945	19945	BRACKET, TOP BRICK RETAINER
7	R8673	R8673	R9424	R9424	BRICK PANEL RIGHT
8					BRICK PANEL BACK
9					BRICK PANEL LEFT
10	19984	19984	19984	19984	HOOD
11	R7053	R7053	R7053	R7053	ROD, SCREEN
12	R8202	R8202	R8202	R8202	SCREEN CURTAIN
13	19401	19401	19401	19401	BRACKET, BOTTOM BRICK RETAINER
14	R9292	R9292	R9292	R9292	HEARTH LEDGE, RIGHT
15	R9293	R9293	R9293	R9293	HEARTH LEDGE, LEFT
16	R9296	R9296	R9296	R9296	HEARTH LEDGE, CENTER
17	23004	23004	23004	23004	RETAINER, HEARTH LEDGE

iBuyFireplaceParts.com

888-634-4289

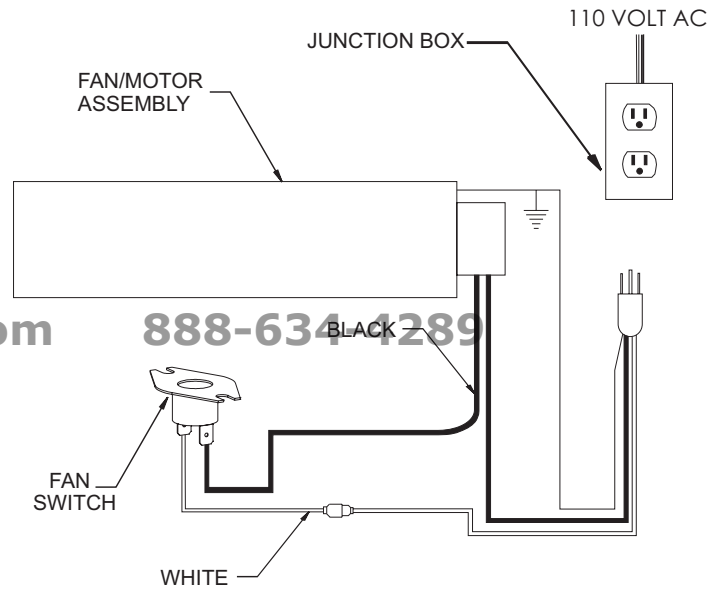
**Blower Motor**

The blower motor does not have oiling holes. Do not attempt to oil the blower motor.

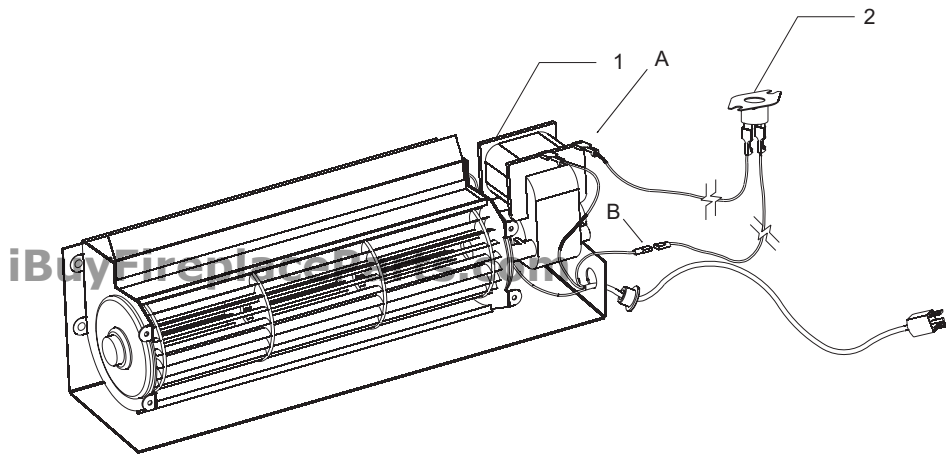
**Blower Wheels**

The blower wheels will collect lint and could require periodic cleaning. If the air output decreases or the noise level increases, it indicates a dirty blower wheel. Remove fan and clean blower wheels.

**Warning:** Unplugging of blower accessory will not stop the heater from cycling. To turn off gas to the heater (millivolt model): push in gas control knob slightly and turn clockwise to "OFF." Do not force. To turn off gas on direct ignition model, turn gas line valve to "OFF."



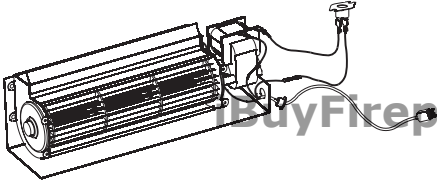
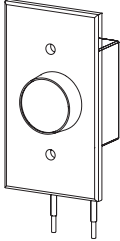
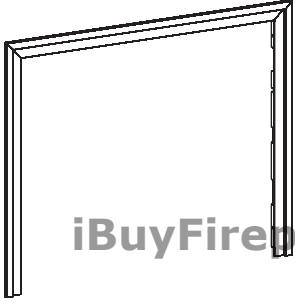
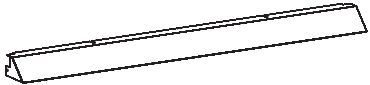
**Figure 18**



1	FBB5	BLOWER ASSEMBLY COMPLETE
2	R9901	FAN CONTROL SWITCH

**Figure 19**

# ACCESSORIES

Accessory	Description	Model Numbers
<p><b>Fan Kit</b></p> 	<p>Designed to provide forced air flow.</p>	<p>FBB5</p>
<p><b>Variable Speed Control Kit</b></p> 	<p>Wall mounted variable speed control for use with FBB5 blower</p>	<p>SCV-1</p>
<p><b>Frame Kits</b></p> 	<p>Standard 3-Piece Frame Kits Black, Brass, Stainless Steel, or Hammered Pewter</p> <p>Extruded Aluminum Frame Kits Black, Brass, Stainless Steel, or Hammered Pewter</p>	<p>Contact dealer for all available optional frame kits</p>
<p><b>Standard Hood</b></p> 	<p>Brass hood = BR</p> <p>Stainless Steel = SS</p> <p>Hammered Pewter = HP</p>	<p>Contact dealer for all available optional hood accessories</p>

**iBuyFireplaceParts.com      888-634-4289**