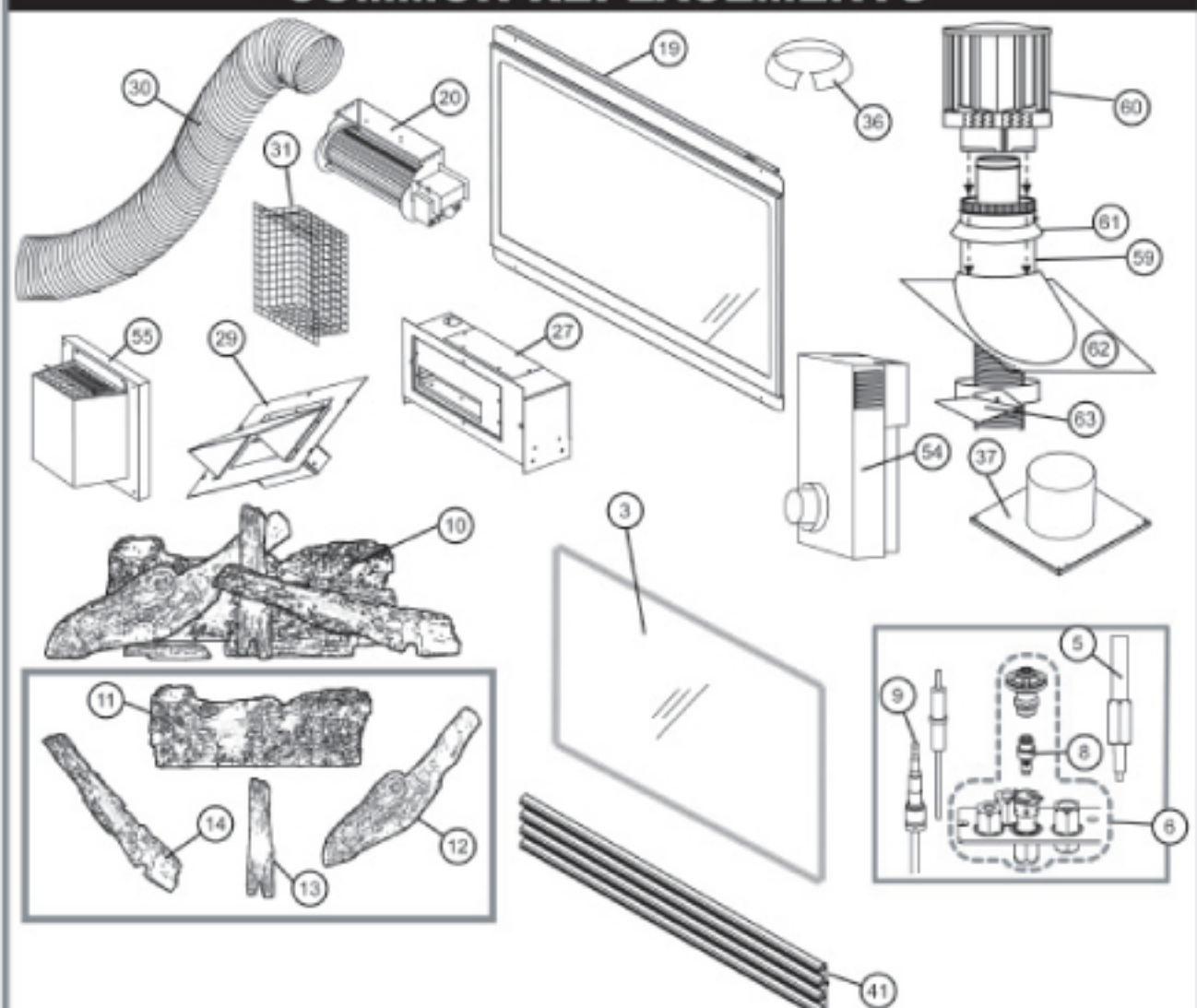
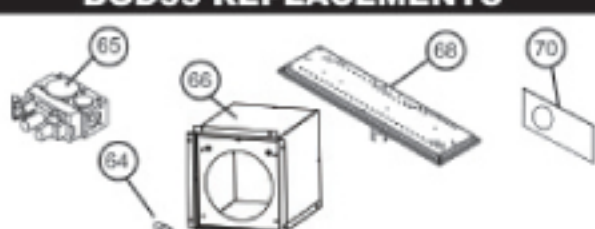


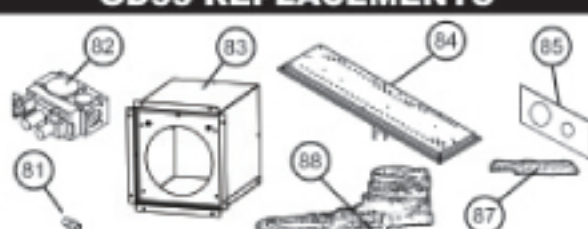
COMMON REPLACEMENTS



BGD33 REPLACEMENTS



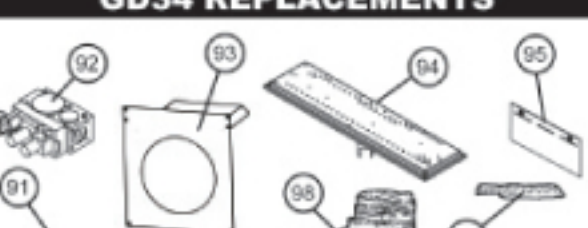
GD33 REPLACEMENTS



BGD34 REPLACEMENTS



GD34 REPLACEMENTS



iBuyFireplaceParts.com

888-634-4289

REPLACEMENTS

Contact your dealer or the factory for questions concerning prices and policies on replacement parts. Normally all parts can be ordered through your Authorized dealer / distributor.

FOR WARRANTY REPLACEMENT PARTS, A PHOTOCOPY OF THE ORIGINAL INVOICE WILL BE REQUIRED TO HONOUR THE CLAIM.

When ordering replacement parts always give the following information:

- Model & Serial Number of fireplace
- Installation date of fireplace
- Part number
- Description of part
- Finish

* IDENTIFIES ITEMS WHICH ARE NOT ILLUSTRATED. FOR FURTHER INFORMATION, CONTACT YOUR AUTHORIZED DEALER.

! WARNING

Failure to position the parts in accordance with this manual or failure to use only parts specifically approved with this appliance may result in property damage or personal injury.

FIREPLACE AND ACCESSORY REPLACEMENT PARTS

REF	PART NUMBER	DESCRIPTION
1	W300-0103	DOOR GLASS
2*	W562-0049	DOOR GASKET 7/8
3*	W562-0050	DOOR GASKET - CENTRE 5/8
4*	WD10-1933	GLASS & GASKET
5*	W690-0005	120V THERMOSTAT
6	W090-0146	BRICK, FRONT LEFT
7	W090-0147	BRICK, FRONT SIDE (2PC REQUIRED)
8	W090-0148	BRICK, SIDE (2PC REQUIRED)
9	W090-0149	BRICK, REAR
10	W090-0150	BRICK, BASE RIGHT SIDE
11	W090-0151	BRICK, BASE LEFT SIDE
12	W090-0156	BRICK, FRONT RIGHT
13	WD18-0107	BAFFLE (2 pc required)
14*	KB35	VARIABLE SPEED CONTROL - INCLUDING KNOB
15*	W660-0065	HEAT SENSOR
16	WD10-1776	LEFT DOOR ASSEMBLY (INCLUDES GLASS, GASKET & HANDLE / LATCH HARDWARE)
17	WD10-1775	RIGHT DOOR ASSEMBLY (INCLUDES GLASS, GASKET & HANDLE / LATCH HARDWARE)
18*	W361-0078	BAFFLE BLANKET
19*	W325-0048	PRIMARY AIR CONTROL HANDLE
20	W325-0029	DOOR HANDLE - BIRD CAGE
21	W715-0773	ANDIRONS
22*	W385-0334	NAPOLÉON® LOGO
23	WD10-1853	SECONDARY AIR MANIFOLD (INCLUDES AIR TUBES)
24	W720-0100	SECONDARY AIR TUBE
25*	W290-0142	GASKET, SECONDARY AIR MANIFOLD
26*	W450-0028	NUT, HEX BRASS
27*	WD10-1896	PILOT TUBE
28*	W615-0106	SPACER
29	W660-0079	SWITCH, PRESSURE SWING DOOR
30*	W250-0005	BLOWER FILTER
31	W305-0007	BLOWER Grille
32	W290-0148	ANCHOR PLATE GASKET

REPLACEMENTS

Contact your dealer or the factory for questions concerning prices and policies on replacement parts. Normally all parts can be ordered through your Authorized dealer / distributor.

FOR WARRANTY REPLACEMENT PARTS, A PHOTOCOPY OF THE ORIGINAL INVOICE WILL BE REQUIRED TO HONOUR THE CLAIM.

When ordering replacement parts always give the following information:

- Model & Serial Number of fireplace
- Installation date of fireplace
- Part number
- Description of part
- Finish

* IDENTIFIES ITEMS WHICH ARE NOT ILLUSTRATED. FOR FURTHER INFORMATION, CONTACT YOUR AUTHORIZED DEALER.

! WARNING

Failure to position the parts in accordance with this manual or failure to use only parts specifically approved with this appliance may result in property damage or personal injury.

FIREPLACE AND ACCESSORY REPLACEMENT PARTS

REF	PART NUMBER	DESCRIPTION
1	W300-0103	DOOR GLASS
2*	W562-0049	DOOR GASKET 7/8
3*	W562-0050	DOOR GASKET - CENTRE 5/8
4*	WD10-1933	GLASS & GASKET
5*	W690-0005	120V THERMOSTAT
6	W090-0146	BRICK, FRONT LEFT
7	W090-0147	BRICK, FRONT SIDE (2PC REQUIRED)
8	W090-0148	BRICK, SIDE (2PC REQUIRED)
9	W090-0149	BRICK, REAR
10	W090-0150	BRICK, BASE RIGHT SIDE
11	W090-0151	BRICK, BASE LEFT SIDE
12	W090-0156	BRICK, FRONT RIGHT
13	WD18-0107	BAFFLE (2 pc required)
14*	KB35	VARIABLE SPEED CONTROL - INCLUDING KNOB
15*	W660-0065	HEAT SENSOR
16	WD10-1776	LEFT DOOR ASSEMBLY (INCLUDES GLASS, GASKET & HANDLE / LATCH HARDWARE)
17	WD10-1775	RIGHT DOOR ASSEMBLY (INCLUDES GLASS, GASKET & HANDLE / LATCH HARDWARE)
18*	W361-0078	BAFFLE BLANKET
19*	W325-0048	PRIMARY AIR CONTROL HANDLE
20	W325-0029	DOOR HANDLE - BIRD CAGE
21	W715-0773	ANDIRONS
22*	W385-0334	NAPOLÉON® LOGO
23	WD10-1853	SECONDARY AIR MANIFOLD (INCLUDES AIR TUBES)
24	W720-0100	SECONDARY AIR TUBE
25*	W290-0142	GASKET, SECONDARY AIR MANIFOLD
26*	W450-0028	NUT, HEX BRASS
27*	WD10-1896	PILOT TUBE
28*	W615-0106	SPACER
29	W660-0079	SWITCH, PRESSURE SWING DOOR
30*	W250-0005	BLOWER FILTER
31	W305-0007	BLOWER Grille
32	W290-0148	ANCHOR PLATE GASKET