

COMMON REPLACEMENTS PARTS

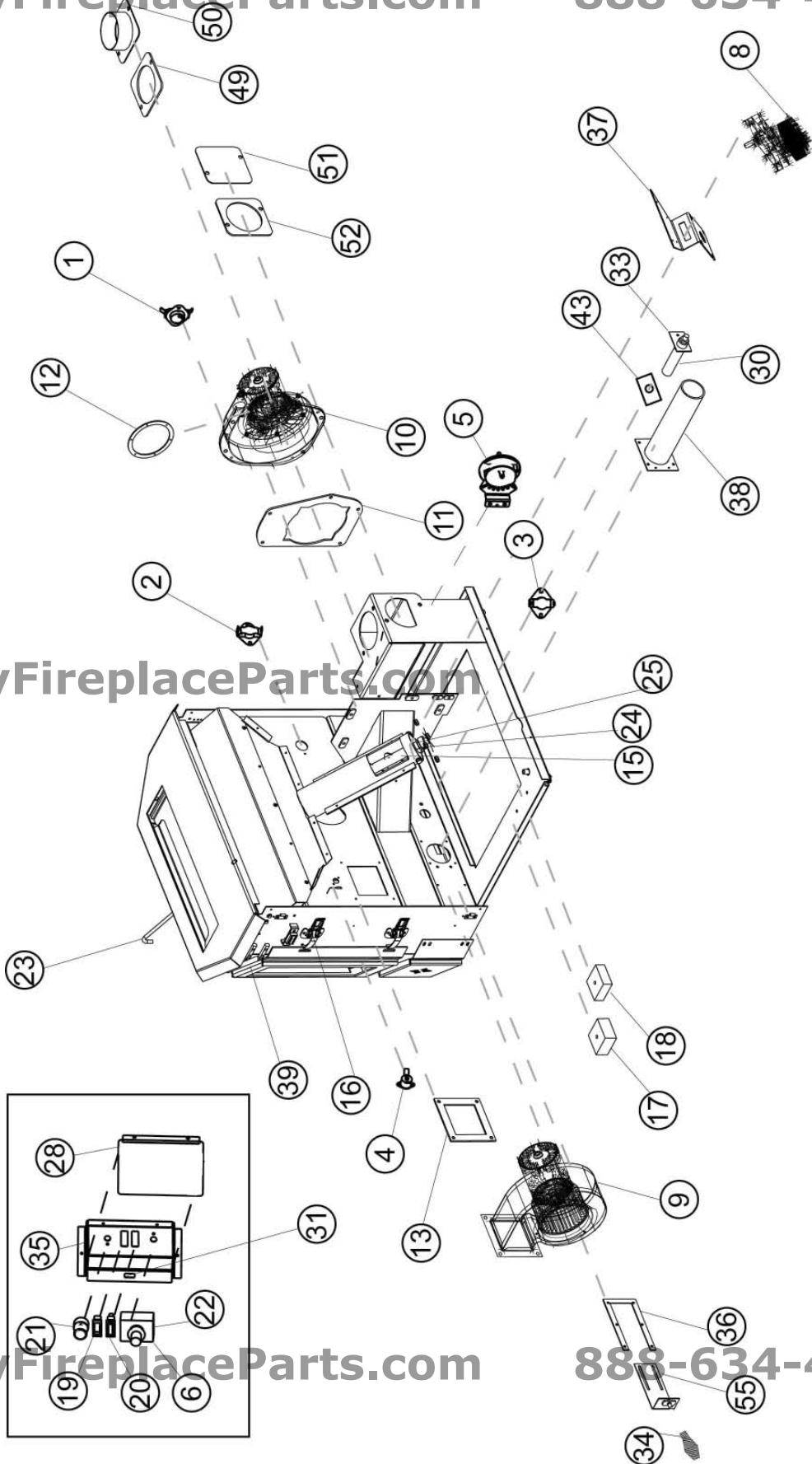
iBuyFireplaceParts.com

888-634-4289

iBuyFireplaceParts.com

iBuyFireplaceParts.com

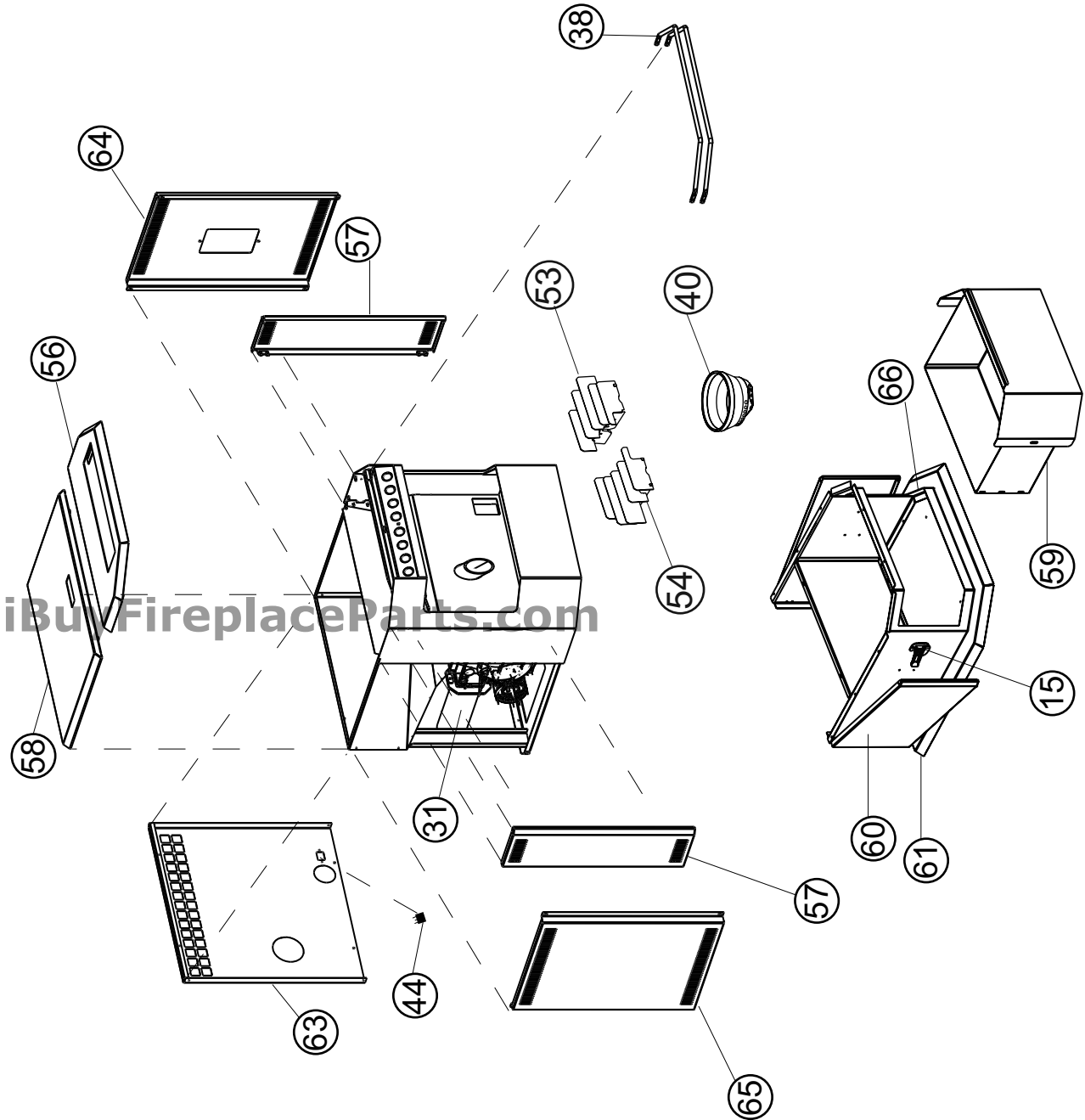
888-634-4289



NPS40 REPLACEMENTS PARTS

iBuyFireplaceParts.com

888-634-4289



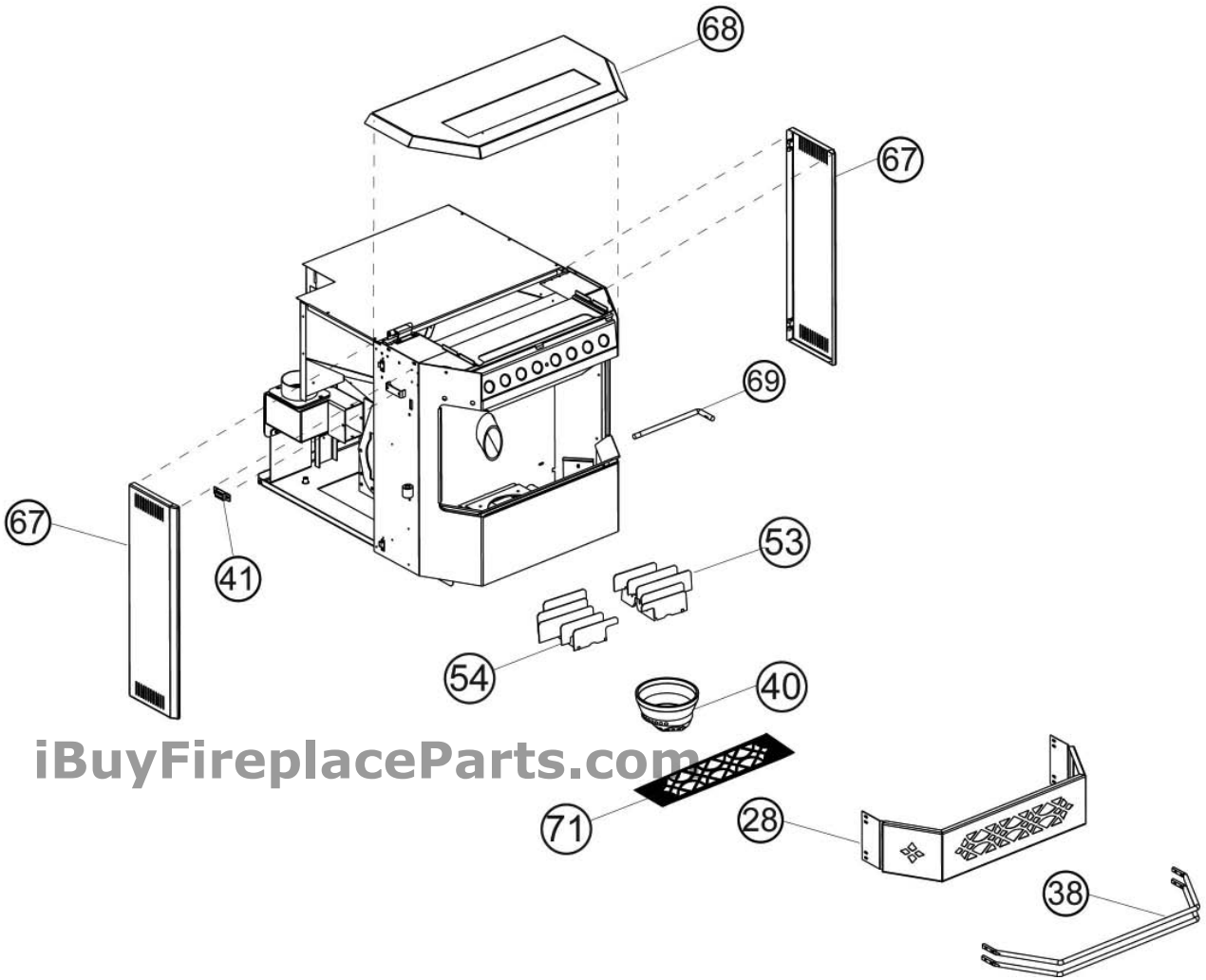
iBuyFireplaceParts.com

888-634-4289

NPI40 REPLACEMENTS PARTS

iBuyFireplaceParts.com

888-634-4289



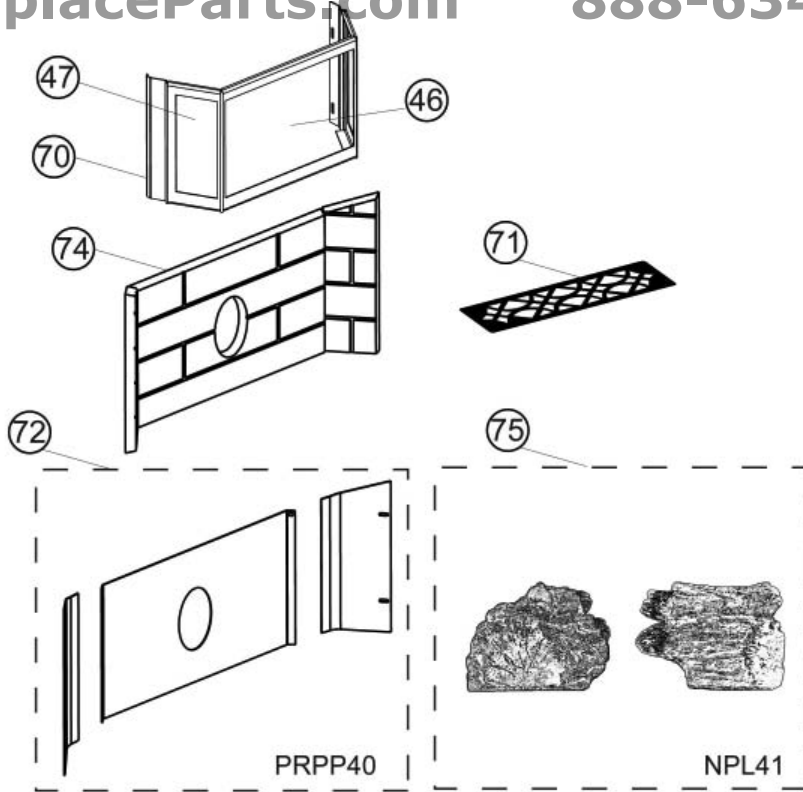
iBuyFireplaceParts.com

iBuyFireplaceParts.com

888-634-4289

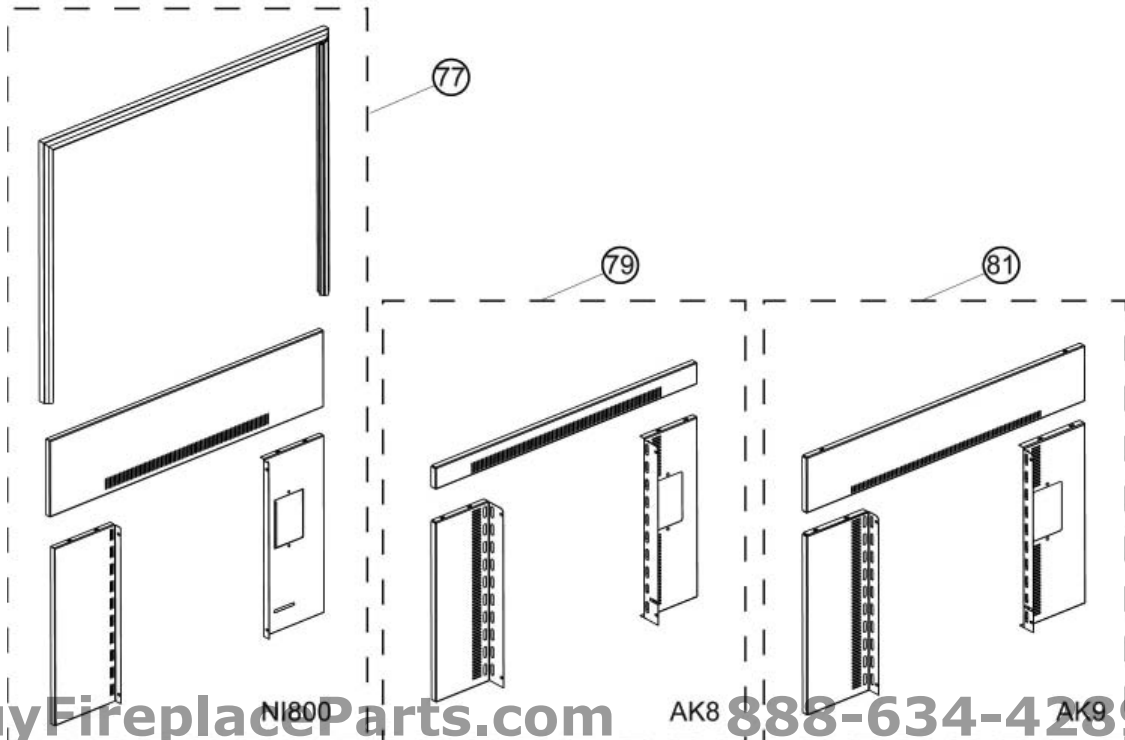
COMMON ACCESSORY PARTS

iBuyFireplaceParts.com 888-634-4289



NPI40 ACCESSORY PARTS

iBuyFireplaceParts.com 888-634-4289



iBuyFireplaceParts.com 888-634-4289

REPLACEMENTS

Contact your dealer for questions concerning prices and availability of replacement parts. Normally all parts can be ordered through your Authorized dealer or distributor.

When ordering replacement parts always give the following information:

1. Model and Serial Number of the fireplace
2. Installation Date of the fireplace
3. Part Number
4. Description of part
5. Finish

For warranty replacement parts, a photocopy of the original invoice will be required.

* Identifies items which are not illustrated. For further information, contact your Authorized dealer.

COMMON COMPONENTS TO BOTH UNITS

#	PART NO.	DESCRIPTION
1	W660-0052	LOW LIMIT SWITCH 140°F (80°C)
2	W660-0053	OVER-RIDE SWITCH 160°F (71°C)
3	W660-0054	IGNITION SWITCH 120°F (60°C)
4	W660-0055	HIGH LIMIT SWITCH 200°F (93°C)
5	W660-0056	VACUUM SWITCH
6	W380-0020	CONTROL KNOB
7*	W195-0004	POWER CORD
8	W435-0009	AUGER MOTOR
9	W062-0021	CONVECTION BLOWER
10	W062-0022	COMBUSTION BLOWER
11	W290-0111	COMBUSTION BLOWER MOUNTING GASKET
12	W290-0120	COMBUSTION BLOWER MOTOR MOUNTING GASKET
13	W290-0113	CONVECTION BLOWER GASKET
14*	W255-0020	PRESSURE FITTING TAP
15	W570-0107	AUGER SCREW
16	W390-0002	DOOR LATCH
17	W190-0019	POWER CONTROL
18	W190-0020	AUGER CONTROL
19	W405-0001	AMBER LIGHT
20	W660-0058	POWER SWITCH
21	W660-0063	PELLET FEED SWITCH
22	W660-0062	VARIABLE SPEED W/O PAL NUT SWITCH
23	W555-0061	SCRAPER ROD
24	W105-0012	NYLON BUSHING
25	W570-0110	SCREW SET
26*	W750-0163	HARNESS WIRE
27*	W385-0334	NAPOLEON® LOGO
28	W010-1528	CONTROL DOOR
29	W475-0555	BOTTOM OI PANEL
30	W720-0089	IGNITOR HOUSING
31	W390-0012	CONTROL PANEL LATCH
32	W010-1490	EXHAUST TUBE
33	W357-0004	IGNITOR
34*	W325-0042	SMALL BLACK WIRE HANDLE
35	W350-0361	CONTROL HOUSING
36	W615-0073	AIR CONTROL SPACER
37	W080-0777	MOTOR BRACKET
38	W010-1491	COMBUSTION AIR TUBE ASSEMBLY
39	W030-0022	ACCENT BAR (2)
40	W135-0320	CAST, BURN POT
41	W430-0002	MAGNETIC DOOR CATCH ASSEMBLY (2)
42*	W290-0120	MOTOR MOUNTING GASKET
43	W290-0119	IGNITION GASKET
44	W460-0004	RECEPTACLE
45*	W615-0078	SPACER, LATCH
46	W300-0038	GLASS, FRONT
47	W300-0037	GLASS, SIDE
48*	W562-0022	GLASS GASKET
49	W290-0122	EXHAUST GASKET
50	W010-1612	EXHAUST COLLAR

PART NO. DESCRIPTION

51	W010-0219	EXHAUST COVER
52	W290-0122	EXHAUST GASKET
53	W010-1673	RIGHT LOUVRE ASSEMBLY
54	W010-1685	LEFT LOUVRE ASSEMBLY
55	W010-1567	AIR CONTROL

NPS40 COMPONENTS

56	W010-1508	WELDED TOP ASSEMBLY
57	W010-1527	SIDE DOOR ASSEMBLY
58	W010-1529	HOPPER DOOR ASSEMBLY
59	W010-1667	ASH PAN ASSEMBLY
60	W010-1668	PEDESTAL SIDE DOOR ASSEMBLY
61	W035-0191	PEDESTAL BASE
62*	W555-0059	AIR CONTROL ROD
63	W475-0482	OUTER REAR PANEL
64	W475-0484	OUTER PANEL, RIGHT
65	W475-0485	OUTER PANEL, LEFT
66	W652-0040	PEDESTAL GASKET

NPI40 COMPONENTS

67	W010-1670	SIDE DOOR ASSEMBLY
68	W010-1671	WELDED HOPPER LID ASSEMBLY
69	W555-0069	AIR CONTROL ROD

COMMON ACCESSORIES

70	W225-0195	DOOR FRAME, BLACK
70	W225-0195G	DOOR FRAME, GOLD
70	W225-0195SC	DOOR FRAME, SATIN CHROME
71	GS200-G	TRIVET
71	GS200-SS	TRIVET
72	PRPP40	PORCELAIN REFLECTIVE RADIANT PANELS
73*	114KT	OUTSIDE AIR KIT - 5 FT (2" DIA.)
74	NP841KT	BRICK, REFRACTORY
75	NPL41	DECORATIVE LOG SET

NPS40 ACCESSORIES

76*	NPHE-40	HOPPER EXTENSION (INCREASES HOPPER CAPACITY FROM 55 LBS TO 100 LBS PELLETS)
-----	---------	---

NPI40 ACCESSORIES

77	NI800	8" BLACK FLASHING WITH BLACK TRIM
78*	GICSK	ARCHED CAST IRON SURROUND
79	AK8	ADAPTOR KIT (REQ'D FOR GICSK)
80*	CISK	CAST IRON SURROUND KIT - BLACK
80*	CISKK	CAST IRON SURROUND KIT - ENAMEL BLACK
80*	CISKN	CAST IRON SURROUND KIT - MOJOLICA BROWN
80*	CISKB	CAST IRON SURROUND KIT - MOJOLICA BLUE
80*	CISKF	CAST IRON SURROUND KIT - MOJOLICA GREEN
81*	AK9	ADAPTOR KIT (REQ'D FOR CISK)